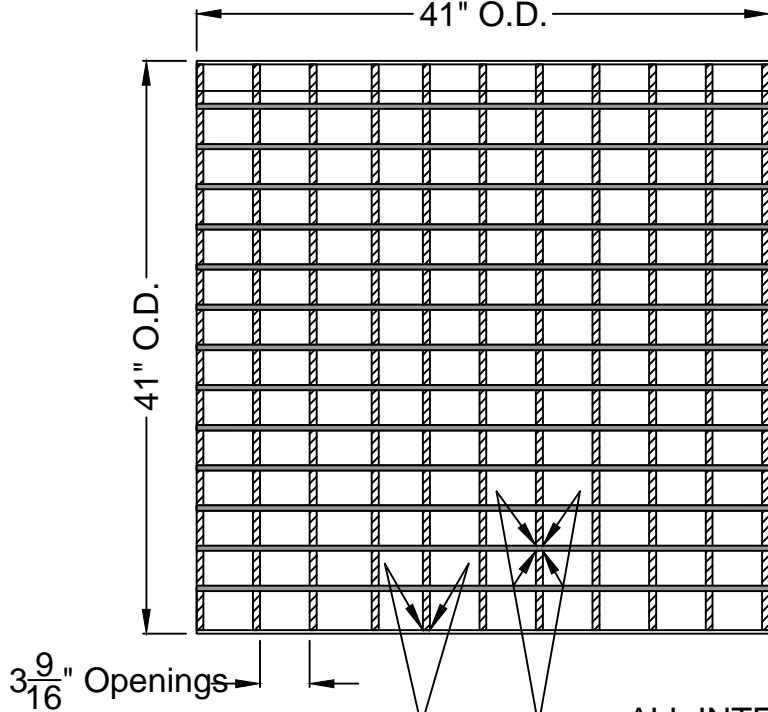


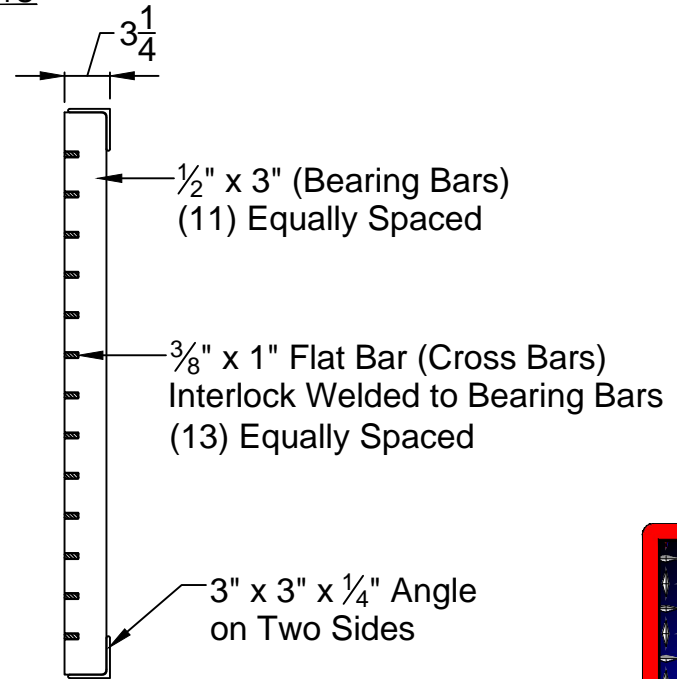
Galvanized Steel Grate
NTS

- Note:
1. ASTM A-36 Steel Construction
 2. Hot Dip Galvanized (ASTM A 123/A)
 3. H-20 Load (No Impact)



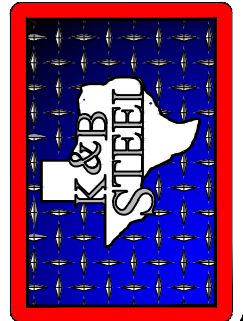
Grate Plan View

ALL INTERSECTIONS
SEAL WELDED



Grate Side Elevation

Galvanized Steel Grate
Standard 3 x 3 Grate
(41" x 41" O.D.)
K&B Steel
E-Mail: kbsteel@valornet.com
525 Industrial Blvd. Clarksville, Texas 75426
Phone: (903) 427-3980 FAX: (903) 427-5817



(Date: 09-22-22)